

2 *2.5G Base-X SFP + 4 *10/100/1000Base-T PoE Ports Managed Industrial PoE Switch LT-IS6206XGP-2GQ4GT

Overview:

SmartByte's LT-IS6206XGP-2GQ4GT is a 2*2.5GBase-X SFP ports + 4*10/100/1000Base-T RJ45 PoE ports managed industrial PoE switch. It complies with IEEE802.3af, IEEE802.3at standard PoE protocol, the Max power consumption can reach 30W (PoE+) per port, which is ideal choice for surveillance, wireless and VoIP networks. Through the fan-less cooling design, wide range working environment temperature $-40^{\circ}\text{C} \sim +75^{\circ}\text{C}$, high protection level and industry quality, it is one of the most reliable choice for easy managed Fiber Ethernet application under harsh environment. Meanwhile, it supports the public Ethernet multi ring protection technology (ERPS), which can protect your mission-critical applications from network interruptions or temporary malfunctions with its fast recovery technology. It can meet the deployment requirements of rail transit, safe city, intelligent transportation, outdoor monitoring and other harsh environments.

Picture



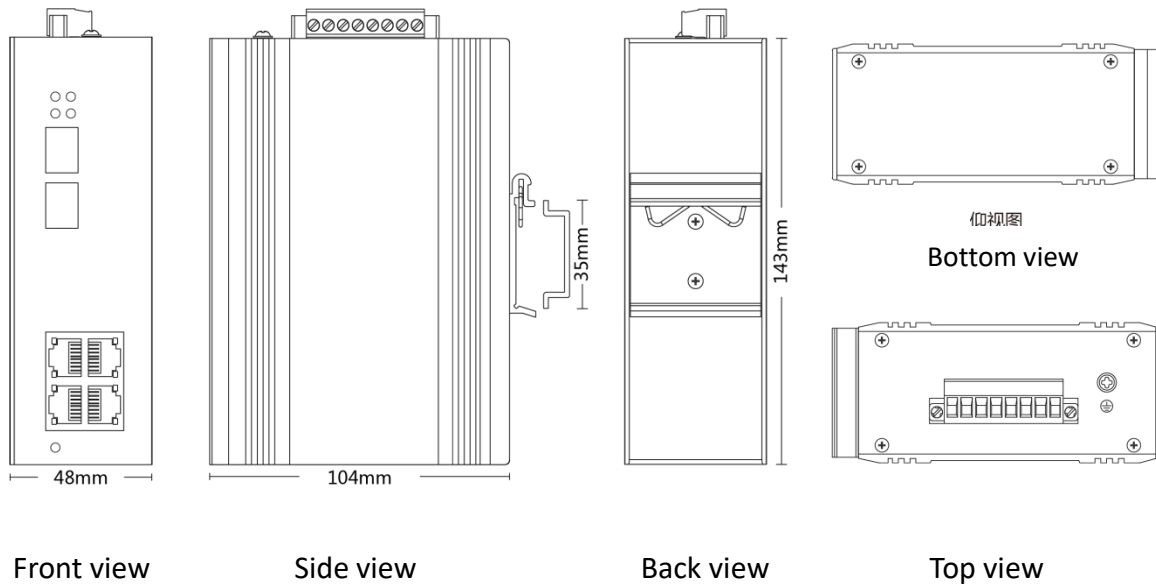
Technical Specification

Ports Interface	
Fixed port	2*2.5G Base-X SFP slots + 4*10/100/1000 Base-T RJ45 ports
Management Port	Support console port
Power interface	Phoenix terminal, dual power input
LED indicators	PWR, Link/ACT LED
Cable Type & Transmission Distance	
Twisted-pair	0-100m (CAT5e,CAT6)
SFP slots	Depending on the SFP module
Network Topology	
Ring topology	√
Star topology	√
Bus topology	√
Tree Topology	√
Hybrid topology	√
Electrical Specifications	
Input voltage	DC48~58V(PoE)
Total Power consumption	< 130W(PoE), depending on the power supply
PoE Support	
PoE port	1-4
PoE Protocol	IEEE802.3af & IEEE802.3at
Pin Assignment	1/2(+) 3/6(-)
PoE Management	√
Layer 2 Switching	
Switching capacity	36G
Packet forwarding rate	26.78Mpps
MAC address table	16K
VLAN	Support 4K
Buffer	12M
Forwarding delay	<10us
MDX/MIDX	√
Flow control	√
Jumbo Frame	Support 10Kbytes
Spanning Tree	Support STP/RSTP/MSTP
Ring Protocol	Support ERPS
Link Aggregation	Support 12 group
Multicast	Support IGMP Snooping
Port Mirroring	√
Storm Control	√
Interface Counters	√
QINQ	√
802.1X	√

MAC Authentication	√
Port Isolation	√
RMON	√
NTP Client	√
DHCP CLIENT	√
DHCP snooping	√
Ping/tracert test	√
Dying gasp	√
DDM	√
Convergence	
ACL	Support ACL 500 Support IP standard ACL Support MAC expand ACL Support IP expand ACL
QoS	Support QoS re-marking, priority mapping Support SP, WRR queue scheduling Support egress rate-limited, egress rate-limit Support Policy-based QoS
Management	
CLI	√
Console	√
Management IP	Support IPv4/IPv6
Telnet/SSH	√
WEB management	√
SNMP	Support SNMPv1/v2c/v3
User Management	√
System Log	√
Configuration File Download/Upload	√
Upgrade Firmware	√
Environment	
Operating temperature	-40°C~+75°C The device is tested for 4 hours at temperatures in 85°C
Storage temperature	-40°C~+85°C
Relative humidity	5%~95% (non-condensing)
Thermal methods	Fan-less, natural cooling
MTBF	100,000 hours
Mechanical Specification	
Dimension	48X104X143mm
Installation method	DIN-rail
Weight	Net weight 0.58KG
Protection & Certification	
Case protection level	IP40
Surge protection of Power	IEC 61000-4-5 Level X (6KV/6KV) (8/20us)
Surge protection of Ethernet port	IEC 61000-4-5 Level 4 (4KV/4KV) (10/700us)
RS	IEC 61000-4-3Level 3 (10V/m)

EFI	IEC 61000-4-4 Level 3 (1V/2V)
CS	IEC 61000-4-6 Level 3 (10V/m)
PFMF	IEC 61000-4-8 Level 4 (30A/m)
DIP	IEC 61000-4-11 Level 3 (10V)
ESD	IEC 61000-4-2 Level 4 (8K/15K)
Free fall	0.5m
Certification	CE/FCC/RoHS/CCC
Warranty	
	5 years

Appearance diagram



Order information

Model	Description
LT-IS6206XGP-2GQ4GT	10/100/1000Base-T to 2.5GBase-X managed industrial POE switch, 2*1000M 2.5G slots + 4*10/100/1000M RJ45 PoE ports, complies with IEEE802.3af & IEEE802.3at standard PoE protocol, DC48-58V, Phoenix terminal, redundant dual power supply, Din-rail installation. Transmission distance depending on the SFP module; Operation temperature: -40℃ ~ +75℃