

Features:

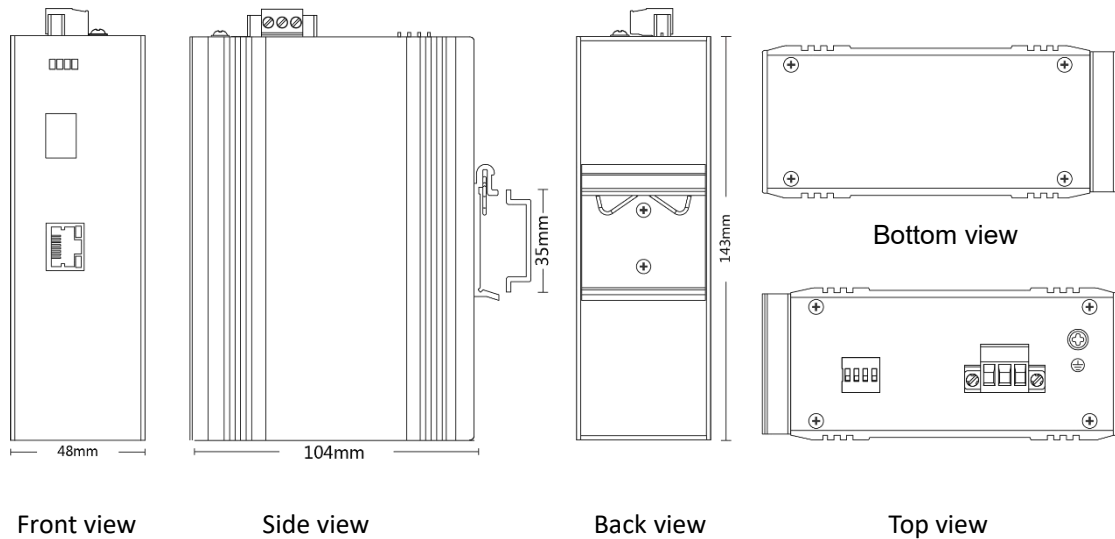
- 1*1000Base-X SFP port + 1* 10/100/1000Base-T PoE port
- DC: 48~58V input, redundant power supply with polarity reverse protect function
- Standard and Smart PoE chipset, detecting the PoE and Non-PoE equipments automatically, not burn the Non-PoE equipments and support short-circuit protection
- Complies with IEEE802.3af and IEEE802.3at PoE standard, Single port can support PoE+ 30W
- Support voltage alarm function when under-voltage or over-voltage
- Support restarting the PD remotely if the PD is frozen
- Support 10K Bytes Jumbo frame
- Support 1M large buffer
- Support watchdog and port isolation
- Support star, bus, tree and hybrid network topology
- Support 6KV surge protection and ESD: Air-15kV, Contact-8kV protection
- IP40 fan-less and Din-rail hardware design
- 5 years warranty

Technical specification

Ports Interface	
Fixed port	1*1000 Base-X SFP + 1*10/100/1000Base-T RJ45 PoE port
Power interface	Phoenix terminal, redundant dual power
LED indicators	PWR, OPT ,NMC, ALM
DIP Switch	
1	Restart the PD remotely
2	Stand/Non-standard PoE Mode
3	VLAN
4	Reset
Cable Type & Transmission Distance	
Twisted-pair	0-100m (CAT5e,CAT6)
Fiber optical port	Depending on the SFP module
Network Topology	
	Support star, bus, tree and hybrid topology
Electrical Specifications	
Input voltage	DC48-58V
Total power consumption	<36W
Voltage Alarm	Support

PoE Support	
PoE port	1
PoE Protocol	IEEE802.3af, IEEE802.3at
Pin Assignment	1/2(+), 3/6(-)
PoE Mode	Support standard & non-standard
Remote PD Reset	Support
Layer 2 Switching	
Switching capacity	14G
Packet forwarding rate	10.416Mpps
MAC address table	8K
Buffer	1M
Forwarding delay	<5us
MDX/MIDX	Support
Jumbo Frame	Support 10Kbytes
Watchdog	Support
Port isolation	Support
Environment	
Operating temperature	-40°C~+75°C
Storage temperature	-40°C~+85°C
Relative humidity	5%~95% non-condensing
Thermal methods	Fan-less, natural cooling
MTBF	100,000 hours
Mechanical Specification	
Dimension	143X104X48mm
Installation method	DIN rail
Weight	Net weight 0.6KG
Protection & Certification	
Case protection level	IP40
Surge protection of Power	IEC 61000-4-5 Level X (6KV/6KV) (8/20us)
Surge protection of Ethernet port	IEC 61000-4-5 Level 4 (4KV/4KV) (10/700us)
RS	IEC 61000-4-3 Level 3 (10V/m)
EFI	IEC 61000-4-4 Level 3 (1V/2V)
CS	IEC 61000-4-6 Level 3 (10V/m)
PFMF	IEC 61000-4-8 Level 4 (30A/m)
DIP	IEC 61000-4-11 Level 3 (10V)
ESD	IEC 61000-4-2 Level 4 (8K/15K)
Free fall	0.5m
Certification	CE, FCC, RoHS, CCC
Warranty	
	5 years

Appearance diagram



Order information

Model	Description
LT-IMC60GP	10/100/1000Base-T to 1000Base-X industrial PoE media converter, 1*1000M SFP slot + 1*10/100/1000M RJ45 PoE port, complies with IEEE802.3af, IEEE802.3at standard, DC48-58V, Phoenix terminal, redundant dual power supply, Din-rail installation